

Gearbox Selection



Determination of basic data (specification) - page 1

Customer _____

Field of application / industry ¹⁾ / Country

Application ¹⁾ number of pieces

Type of gear unit

- Helical gear unit SK .. 207 / SK.. 307
- Bevel helical unit SK ..407 / SK ..507

Installation of gear unit

- small space ($v_L \geq 0,5$ m/s)
- large rooms and halls ($v_L \geq 1,4$ m/s)
- outdoors, shaded from sun ($v_L \geq 3$ m/s)

Ambient conditions

- normal corrosive
- dusty dry
- damp/wet sea water _____

Required output speed n_2 [1/min]

normal _____ min _____ max _____

Input speed n_1 [1/min]

normal _____ min _____ max _____

Operating power of drive P_1 [kW]

normal _____ min _____ max _____

Operating torque of drive M_2 [kNm]

normal _____ min _____ max _____

Required operating factor f_{Bmin}

- with reference to the motor power P_M / motor torque M_M
 operating power P_2 / operating torque M_2

Ambient temperature [°C]

normal _____ min. _____ max. _____

Site altitude [m]

_____ above sea level

Required bearing life $L_{h min}$

_____ hours

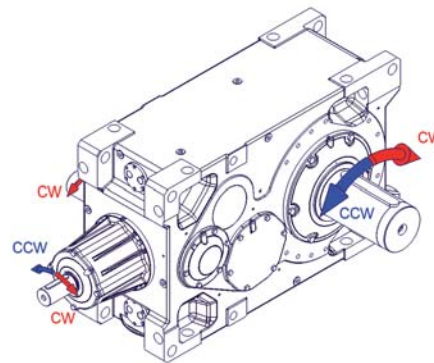
Time of operation/day

- $\leq 0,5$ hours
- 0,5...10 hours
- > 10 hours

Switch-on time _____ %

Frequency of peak loads / Frequency of peak loads

_____ per hour



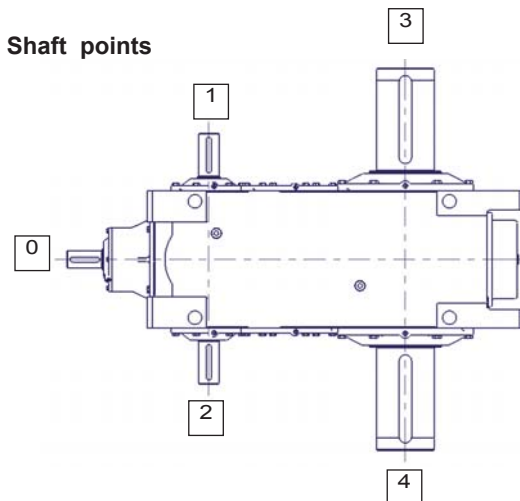
Direction of rotation under load (output, plan view)

- one direction CW CCW
- both directions
- reversible

Backstop required

- Yes No

Shaft points



Position ²⁾

- M1 M4
- M2 M5
- M3 M6

Mounting surface ³⁾

- F1 F4
- F2 F5
- F3 F6

Catalog G1050

¹⁾ see catalog ⇨ 14

²⁾ see catalog ⇨ 59

³⁾ see catalog ⇨ 61

