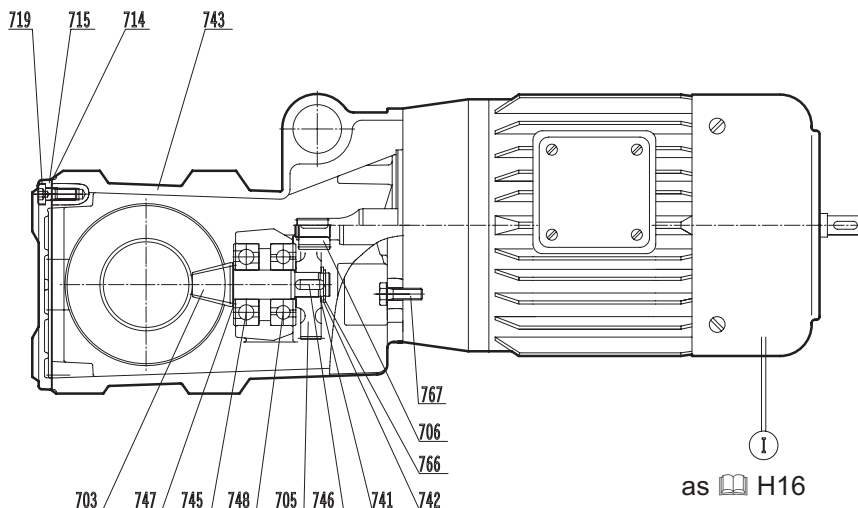


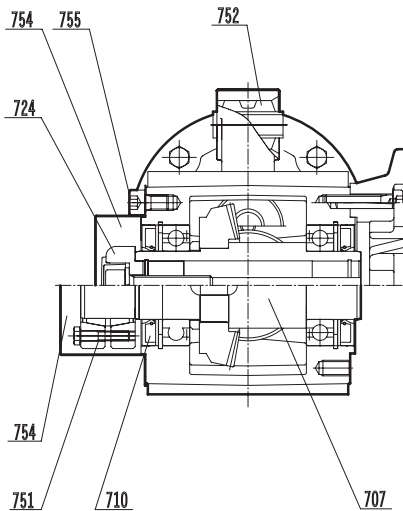
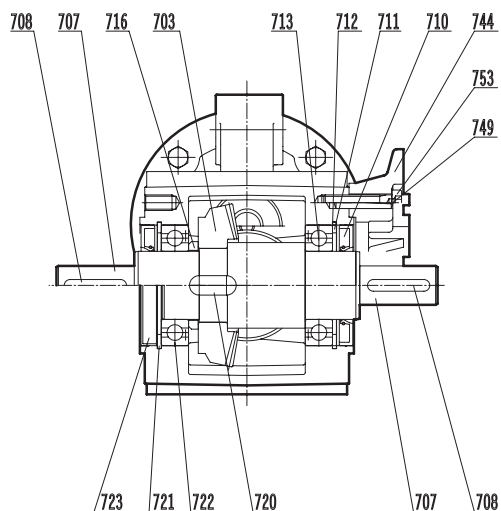


SK 92072



as H16

- 703 Bevel gearset
- 705 Input gear
- 706 Input pinion
- 707 Output shaft
- 708 Key
- 710 Shaft seal
- 711 Circlip
- 712 Shim
- 713 Taper roller bearing
- 714 Gasket
- 715 Gear case cover
- 716 Spacer
- 719 Socket head screw
- 720 Key
- 721 Circlip
- 722 Taper roller bearing
- 723 Sealing plug
- 724 Fixing element
- 741 Shim
- 742 Supporting disc
- 743 Gear case
- 744 Flange
- 745 Taper roller bearing
- 746 Key
- 747 Shim
- 748 Taper roller bearing
- 749 Grooved pin
- 751 Shrink disc connector
- 752 Rubber buffer
- 753 Socket head screw
- 754 Cover
- 755 Socket head screw
- 766 Circlip
- 767 Hexagon screw



General parts list



SK 92172 - SK 92772

as H16

- 703 Bevel gearset
- 705 Input gear
- 706 Input pinion
- 707 Output shaft
- 708 Key
- 709 Shaft seal
- 710 Shaft seal
- 711 Circlip
- 712 Shim
- 713 Taper roller bearing
- 714 Gasket
- 715 Gear case cover
- 716 Spacer
- 719 Socket head screw
- 720 Key
- 721 Circlip
- 722 Taper roller bearing
- 723 Sealing plug
- 724 Fixing element
- 728 Gasket
- 730 Gearbox cover
- 731 Circlip
- 732 Gasket
- 739 Circlip
- 741 Shim
- 742 Supporting disc
- 743 Gear case
- 744 Flange
- 745 Taper roller bearing
- 746 Key
- 747 Shim
- 748 Taper roller bearing
- 749 Grooved pin
- 751 Shrink disc connector
- 752 Torque arm
- 753 Socket head screw
- 754 Cover
- 755 Socket head screw
- 765 Bearing shim
- 766 Tab washer
- 767 Socket head screw
- 769 Hexagon screw
- 775 Supporting disc