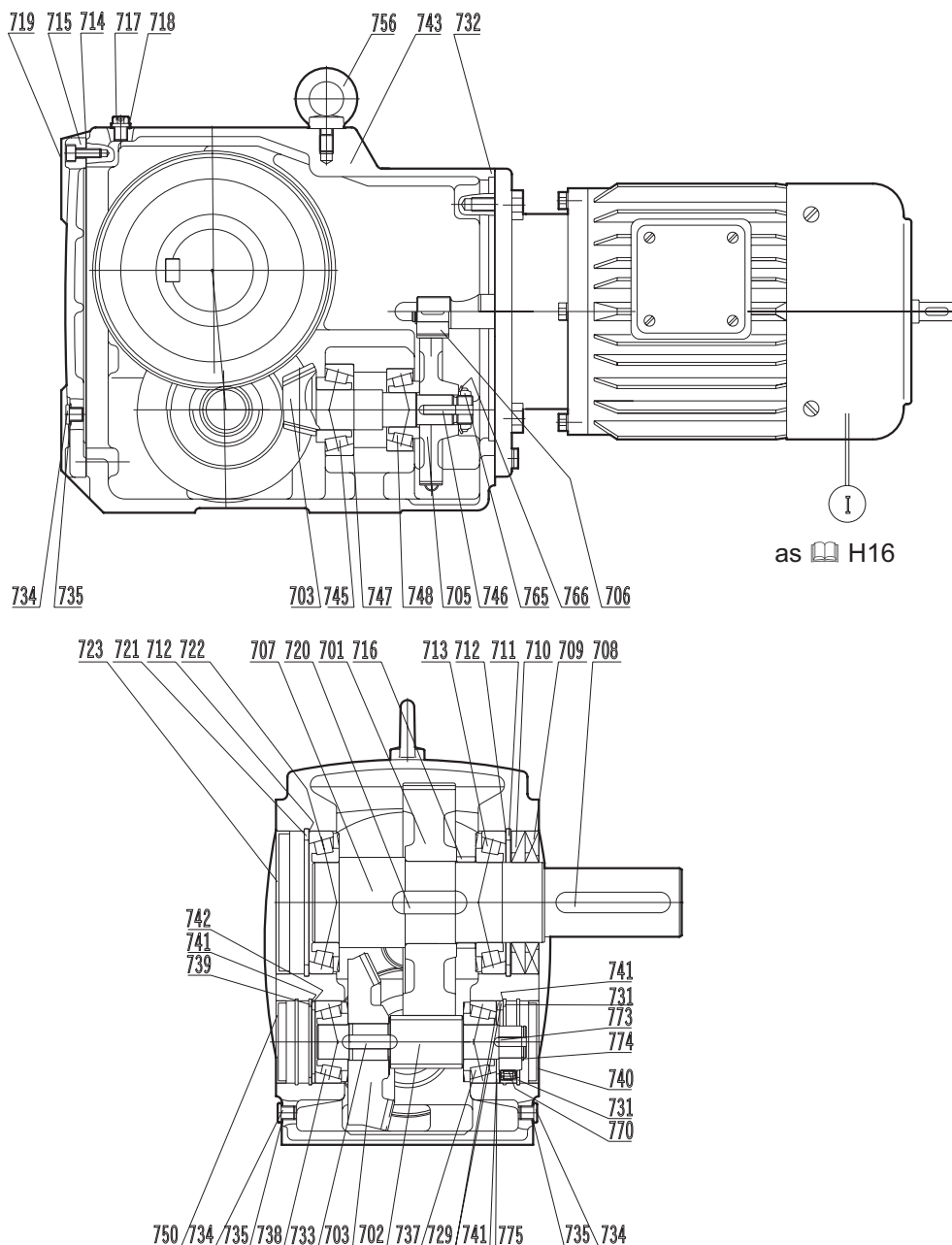




**SK 9012.1 - SK 9092.1**  
Foot mounted



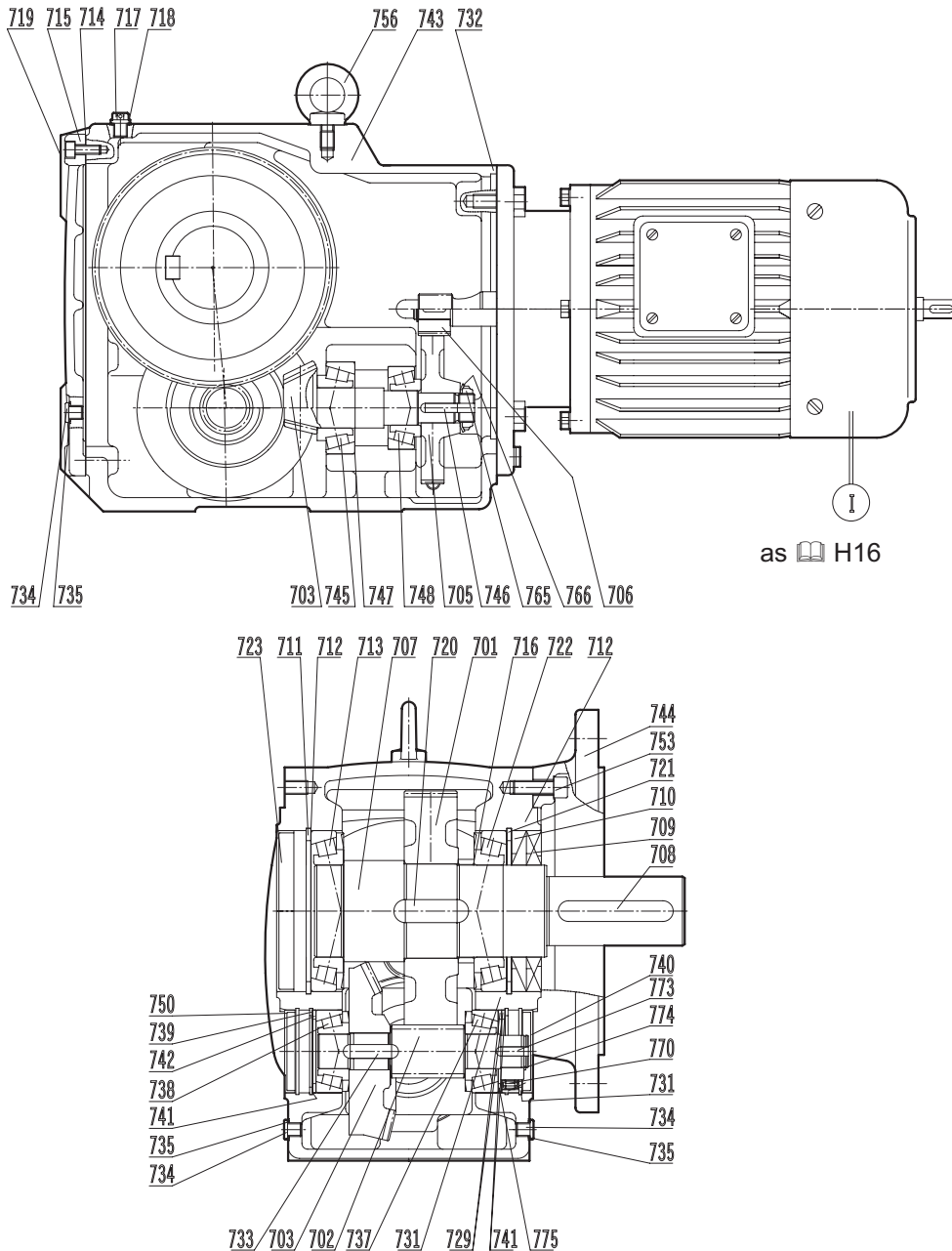
- 701 Output gear
- 702 Output pinion shaft
- 703 Bevel gearset
- 705 Driving gear
- 706 Driving pinion
- 707 Hollow shaft
- 709 Shaft seal
- 710 Shaft seal
- 711 Circlip
- 712 Shim
- 713 Taper roller bearing
- 714 Gasket
- 715 Gear case cover
- 716 Spacer
- 717 Vent screw
- 718 Seal
- 719 Socket head screw
- 720 Key
- 721 Circlip
- 722 Taper roller bearing
- 723 Locking Cap
- 724 Washer
- 725 Spring washer
- 726 Socket head screw
- 729 Supporting disc
- 731 Circlip
- 732 Gasket
- 733 Key
- 734 Drain plug
- 735 Seal
- 737 Taper roller bearing
- 738 Taper roller bearing
- 739 Circlip
- 740 Sealing plug
- 741 Shim
- 742 Supporting disc
- 743 Gear case
- 745 Taper roller bearing
- 746 Key
- 747 Shim
- 748 Taper roller bearing
- 750 Sealing plug
- 751 Shrink disc connector
- 752 Torque arm
- 753 Socket head screw
- 755 Rubber buffer
- 756 Flanged eye bolt
- 765 Slotted round nut
- 766 Tab washer
- 770 Backstop
- 773 Key
- 774 Circlip
- 775 Supporting disc

I  
as H16

# General parts list



## SK 9012.1 - SK 9092.1 Flange mounted

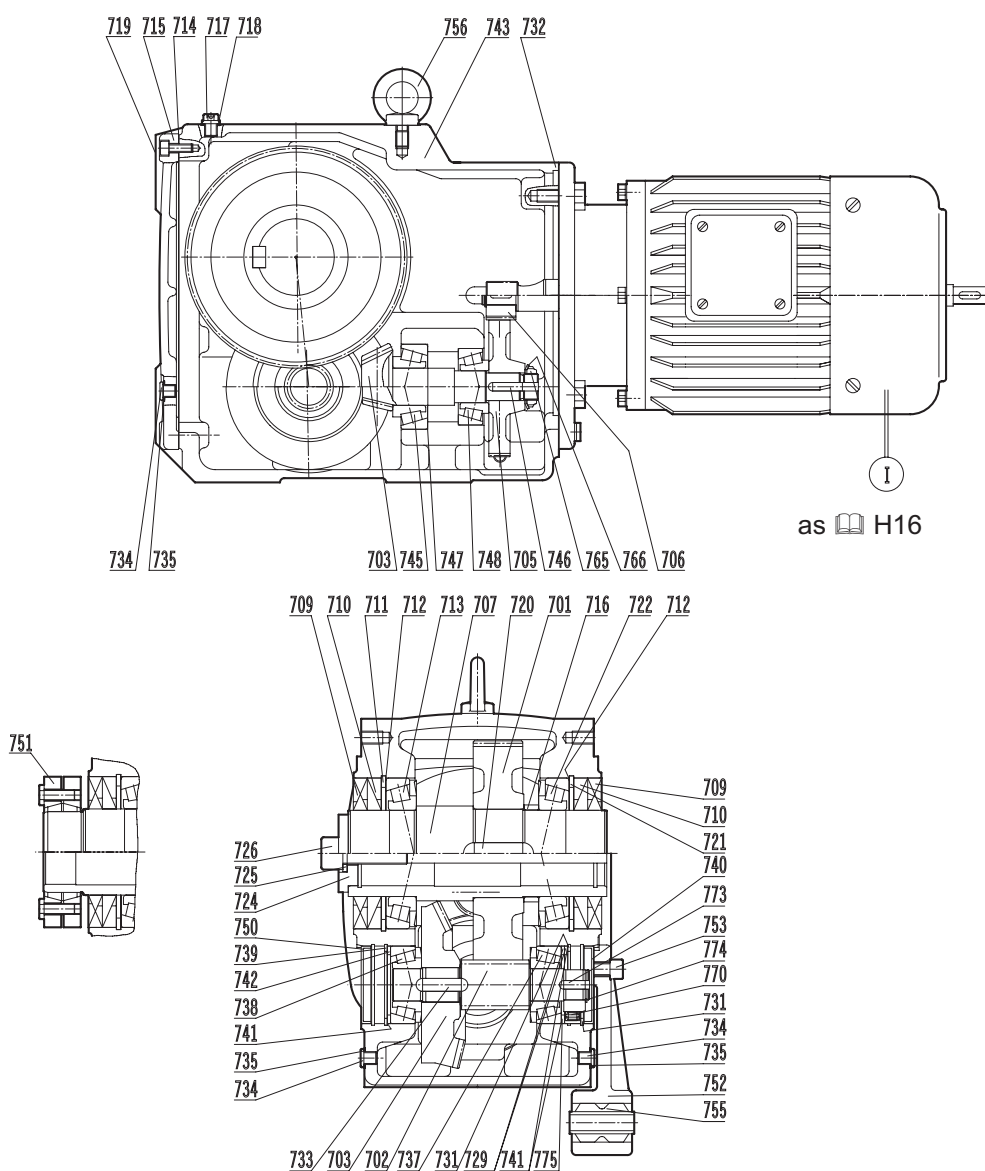


- 701 Output gear
- 702 Output pinion shaft
- 703 Bevel gearset
- 705 Input gear
- 706 Input pinion
- 707 Output shaft
- 708 Key
- 709 Shaft seal
- 710 Shaft seal
- 711 Circlip
- 712 Shim
- 713 Taper roller bearing
- 714 Gasket
- 715 Gear case cover
- 716 Spacer
- 717 Vent screw
- 718 Seal
- 719 Socket head screw
- 720 Key
- 721 Circlip
- 722 Taper roller bearing
- 723 Sealing plug
- 729 Supporting disc
- 731 Circlip
- 732 Gasket
- 733 Key
- 734 Drain plug
- 735 Seal
- 737 Taper roller bearing
- 738 Taper roller bearing
- 739 Circlip
- 740 Sealing plug
- 741 Shim
- 742 Supporting disc
- 743 Gear case
- 744 Flange
- 745 Taper roller bearing
- 746 Key
- 747 Shim
- 748 Taper roller bearing
- 750 Sealing plug
- 753 Socket head screw
- 756 Flanged eye bolt
- 765 Slotted round nut
- 766 Tab washer
- 770 Backstop
- 773 Key
- 774 Circlip
- 775 Supporting disc



## SK 9012.1 - SK 9092.1AZ

Shaft mounted



- 701 Output gear
- 702 Output pinion shaft
- 703 Bevel gearset
- 705 Driving gear
- 706 Driving pinion
- 707 Hollow shaft
- 709 Shaft seal
- 710 Shaft seal
- 711 Circlip
- 712 Shim
- 713 Taper roller bearing
- 714 Gasket
- 715 Gear case cover
- 716 Spacer
- 717 Vent screw
- 718 Seal
- 719 Socket head screw
- 720 Key
- 721 Circlip
- 722 Taper roller bearing
- 724 Washer
- 725 Spring washer
- 726 Socket head screw
- 729 Supporting disc
- 731 Circlip
- 732 Gasket
- 733 Key
- 734 Drain plug
- 735 Seal
- 737 Taper roller bearing
- 738 Taper roller bearing
- 739 Circlip
- 740 Sealing plug
- 741 Shim
- 742 Supporting disc
- 743 Gear case
- 745 Taper roller bearing
- 746 Key
- 747 Shim
- 748 Taper roller bearing
- 750 Sealing plug
- 751 Shrink disc connector
- 752 Torque arm
- 753 Socket head screw
- 755 Rubber buffer
- 756 Flanged eye bolt
- 765 Slotted round nut
- 766 Tab washer
- 770 Backstop
- 773 Key
- 774 Circlip
- 775 Supporting discs

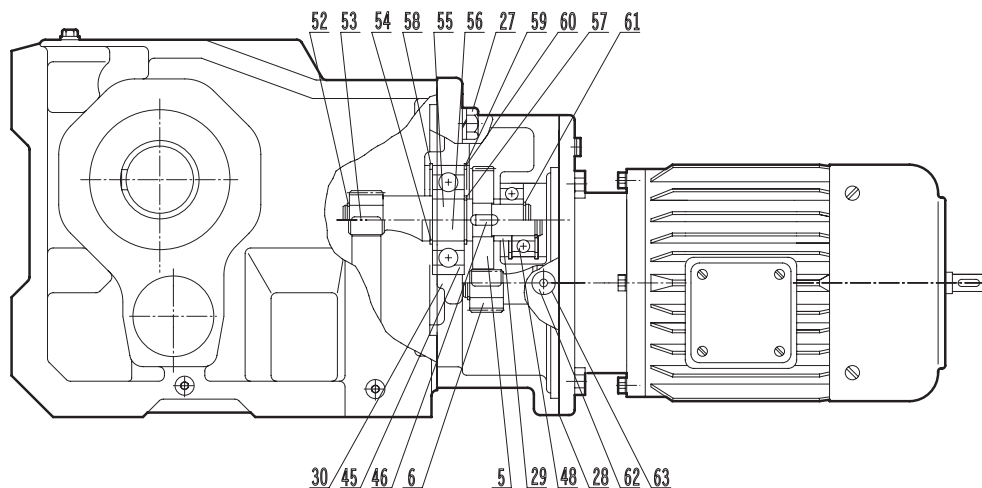
I  
as H16

# General parts list



## SK 9013.1 - SK 9053.1

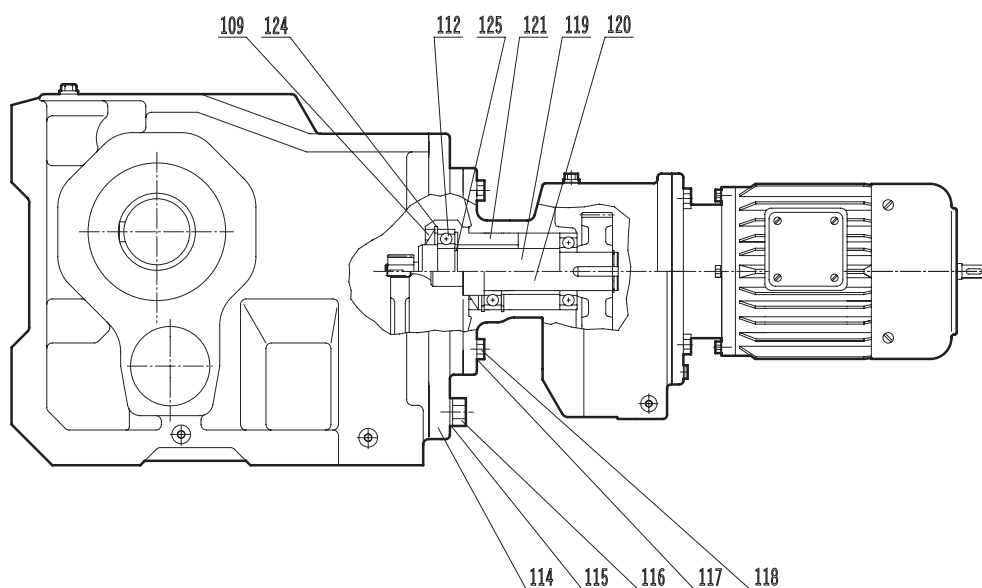
Foot mounted  
Flange mounted VF  
Shaft mounted AZ



- 5 Input gear
- 6 Input pinion
- 27 Bolt
- 28 Gasket
- 29 Supporting disc
- 30 Third reduction gearcase
- 45 Ball bearing
- 46 Key
- 48 Ball bearing
- 52 Circlip
- 53 Key
- 54 Circlip
- 55 Intermediate shaft, plain
- 56 Intermediate shaft, Gearcut
- 57 Circlip
- 58 Circlip
- 59 Shim
- 60 Circlip
- 61 Circlip
- 62 Plug
- 63 Seal

## SK 9072.1/32 - SK 9092.1/52

Foot mounted  
Flange mounted VF  
Shaft mounted AZ



- 109 Shaft seal
- 112 Ball bearing
- 114 Intermediate flange
- 115 Spring washer
- 116 Bolt
- 117 Spring washer
- 118 Bolt
- 119 Intermediate shaft, plain
- 119 Intermediate shaft, gearcut
- 121 Bearing sleeve
- 124 Circlip
- 125 Circlip