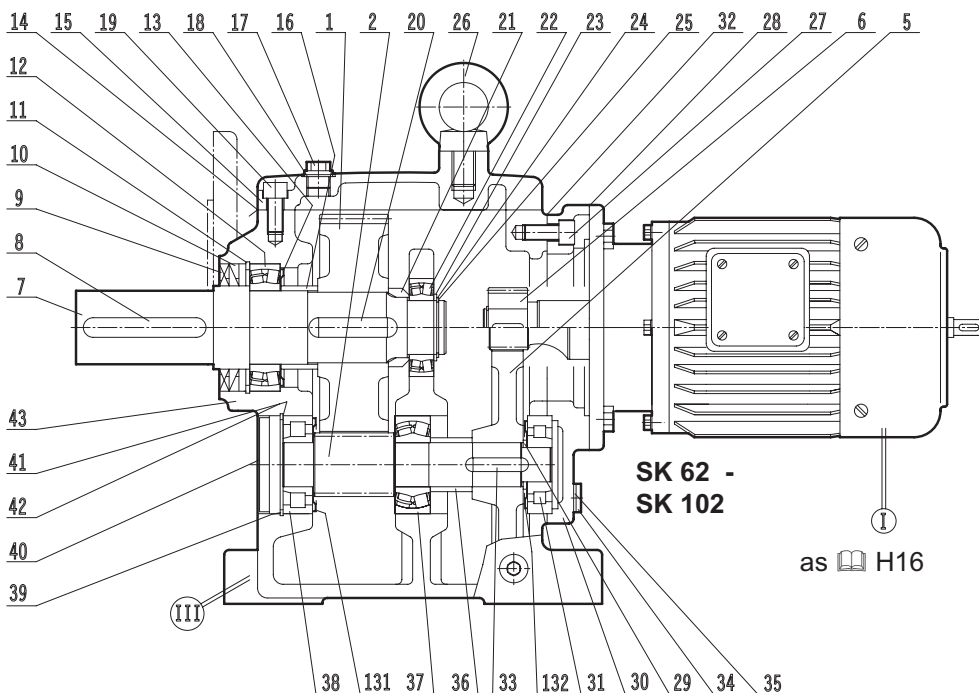
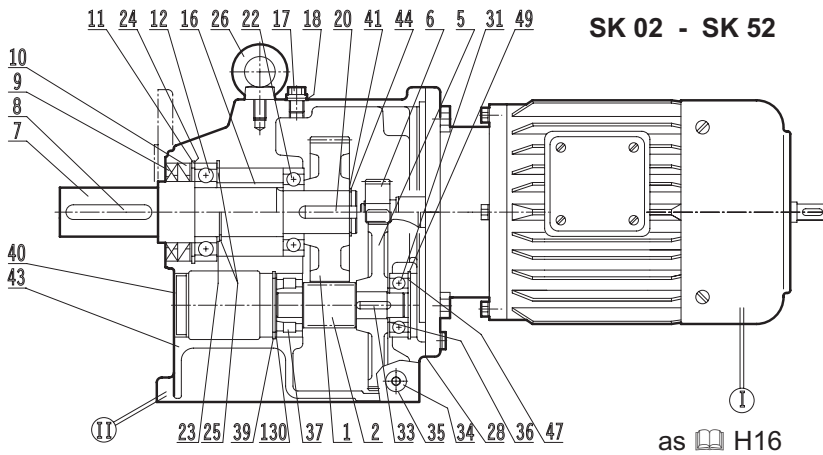
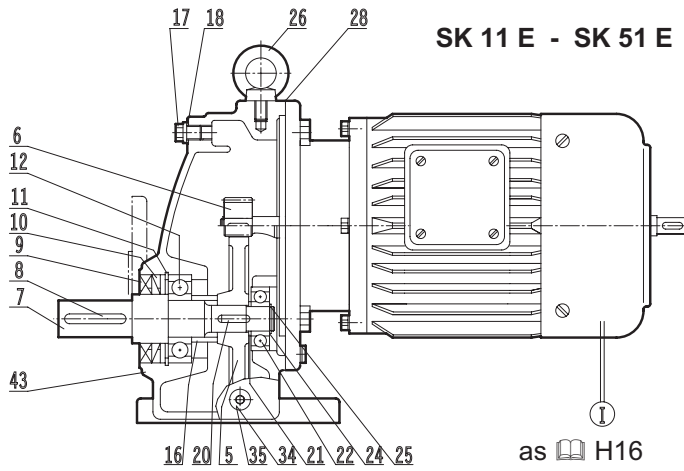
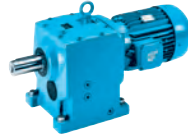
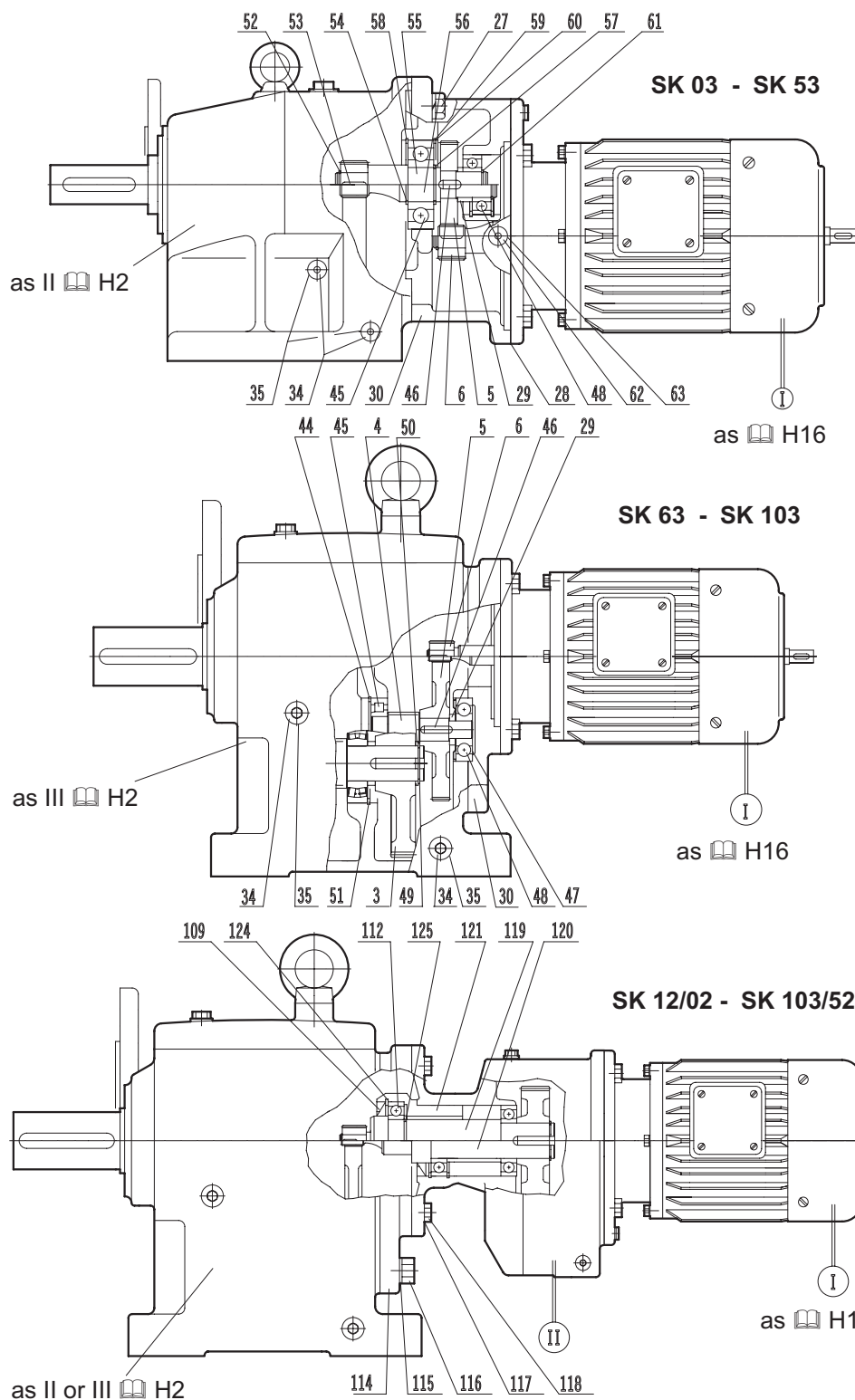
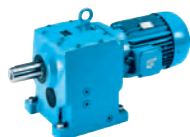


General parts list



- 1 Driven gear
- 2 Pinion shaft
- 5 Driving gear
- 6 Driving pinion
- 7 Output shaft
- 8 Key
- 9 Shaft seal
- 10 Shaft seal
- 11 Circlip
- 12 Output shaft bearing
- 13 NILOSring
- 14 Seal
- 15 Gearcase cover
- 16 Spacer
- 17 Vent plug
- 18 Seal
- 19 Socket head screw
- 20 Key
- 21 Spacer
- 22 Output shaft bearing
- 23 Supporting disc
- 24 Shim
- 25 Circlip
- 26 Flanged eye bolt
- 27 Bolt
- 28 Seal
- 29 Spacer
- 30 Gearbox cover
- 31 Pinion shaft bearing
- 32 Seal
- 33 Key
- 34 Drain plug
- 35 Seal
- 36 Spacer
- 37 Pinion shaft bearing
- 38 Pinion shaft bearing
- 39 Circlip
- 40 Locking cap
- 41 Shim
- 42 Supporting disc
- 43 Gear case
- 44 Circlip
- 47 Shim
- 49 Circlip
- 130 Shim
- 131 NILOSring
- 132 NILOSring



- 3 Driven gear
- 4 Pinion shaft
SK 63 - SK 103
- 5 Driving gear
- 6 Driving pinion
- 27 Fixing bolt
- 28 Seal
- 29 Spacer
- 30 Third reduction gearcase
- 34 Drain plug
- 35 Seal
- 44 Circlip
- 45 Ball bearing
- 46 Key
- 47 Shim
- 48 Ball bearing
- 49 Circlip
- 50 Supporting disc
- 51 Circlip
- 52 Circlip
- 53 Key
- 54 Circlip
- 55 Intermediate shaft, plain
- 56 Intermediate shaft,
gearcut
- 57 Circlip
- 58 Circlip
- 59 Shim
- 60 Circlip
- 61 Circlip
- 62 Oil-plug
- 63 Seal
- 109 Shaft seal
- 112 Ball bearing
- 114 Intermediate flange
- 115 Spring washer
- 116 Bolt
- 117 Spring washer
- 118 Bolt
- 119 Intermediate shaft, plain
- 120 Intermediate shaft,
gearcut
- 121 Bearing sleeve
- 124 Circlip
- 125 Circlip