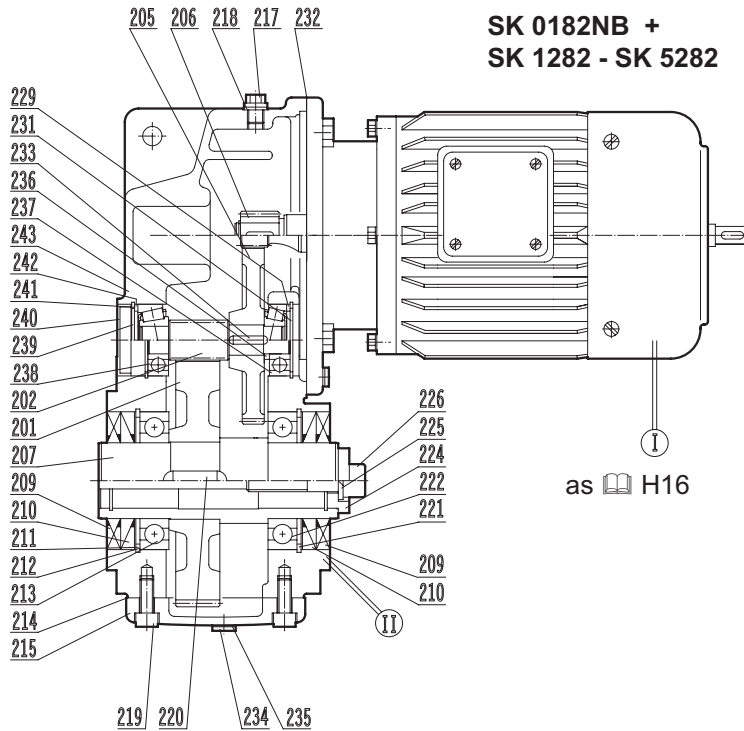
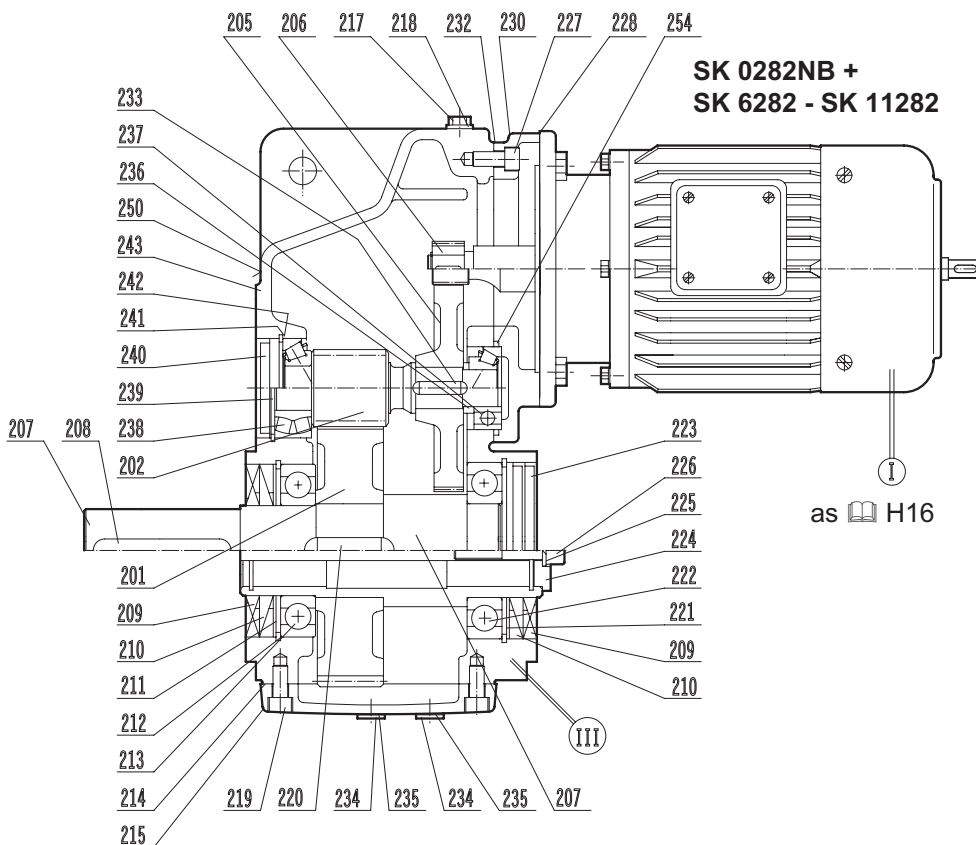


General parts list



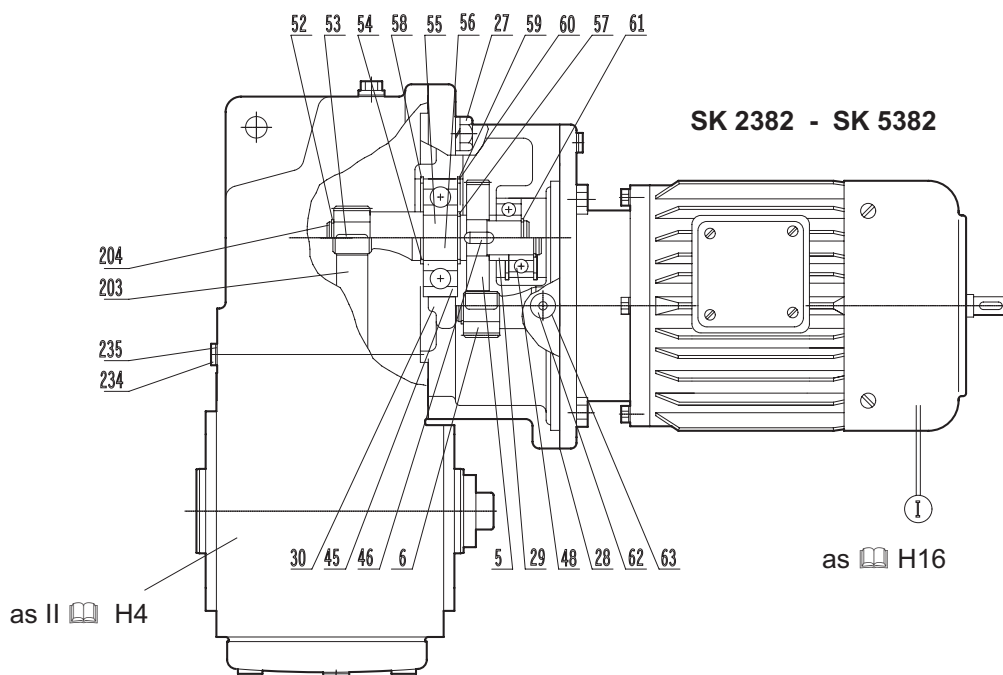
**SK 0182NB +
SK 1282 - SK 5282**

- 201 Driven gear
- 202 Pinion shaft
- 205 Driving gear
- 206 Driving pinion
- 207 Output shaft (Hollow shaft)
- 208 Key
- 209 Shaft seal
- 210 Shaft seal
- 211 Circlip
- 212 Shim
- 213 Ball bearing
- 214 Seal
- 215 Gear case cover
- 217 Vent plug
- 218 Seal
- 219 Socket head screw
- 220 Key
- 221 Circlip
- 222 Ball bearing
- 223 Locking cap
- 224 Washer
- 225 Washer
- 226 Socket head screw
- 227 Socket head screw
- 228 Seal
- 229 Supporting disc
- 230 Gearbox cover
- 231 Circlip
- 232 Seal
- 233 Key
- 234 Drain plug
- 235 Seal
- 236 Supporting disc
- 237 Pinion shaft bearing
- 238 Pinion shaft bearing
- 239 Circlip
- 240 Locking cap
- 241 Shim
- 242 Supporting disc
- 243 Gear case
- 250 Locking cap
- 254 Spacer

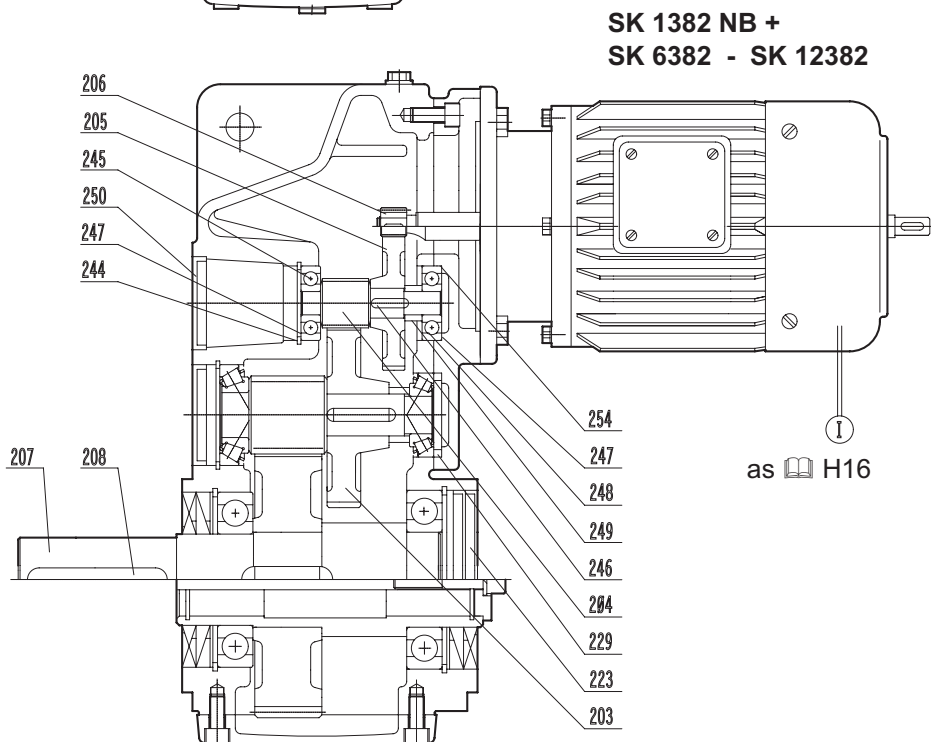


**SK 0282NB +
SK 6282 - SK 11282**

- 201 Driven gear
- 202 Pinion shaft
- 205 Driving gear
- 206 Driving pinion
- 207 Output shaft (Hollow shaft)
- 208 Key
- 209 Shaft seal
- 210 Shaft seal
- 211 Circlip
- 212 Shim
- 213 Ball bearing
- 214 Seal
- 215 Gear case cover
- 217 Vent plug
- 218 Seal
- 219 Socket head screw
- 220 Key
- 221 Circlip
- 222 Ball bearing
- 223 Locking cap
- 224 Washer
- 225 Washer
- 226 Socket head screw
- 227 Socket head screw
- 228 Seal
- 229 Supporting disc
- 230 Gearbox cover
- 231 Circlip
- 232 Seal
- 233 Key
- 234 Drain plug
- 235 Seal
- 236 Supporting disc
- 237 Pinion shaft bearing
- 238 Pinion shaft bearing
- 239 Circlip
- 240 Locking cap
- 241 Shim
- 242 Supporting disc
- 243 Gear case
- 250 Locking cap
- 254 Spacer

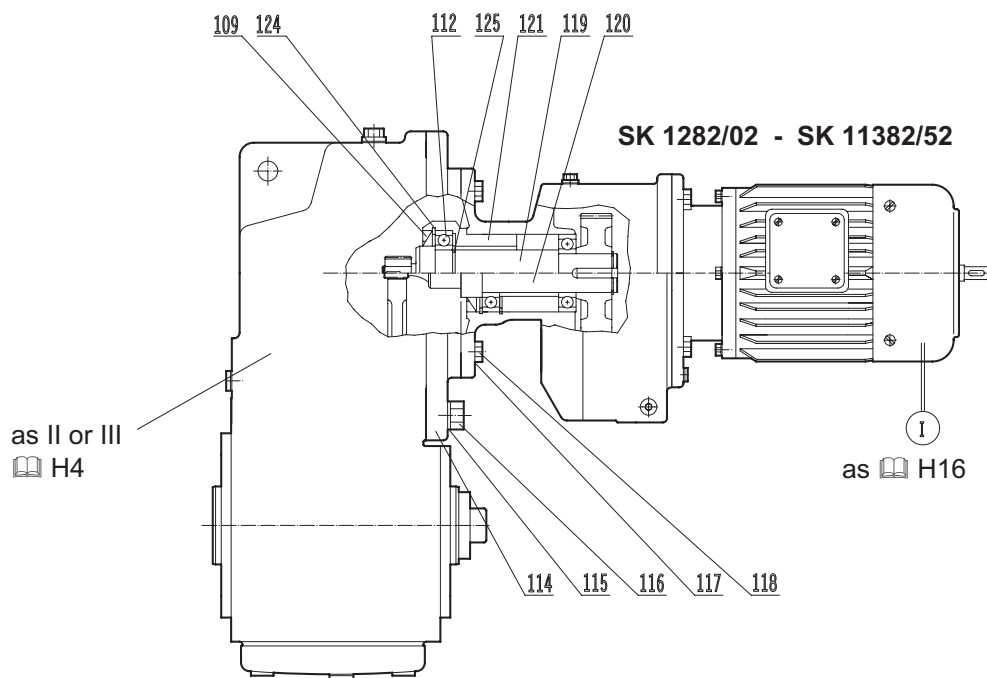


- 5 Driving gear
- 6 Driving pinion
- 27 Fixing bolt
- 28 Seal
- 29 Spacer
- 30 Third reduction gearcase
- 45 Ball bearing
- 46 Key
- 48 Ball bearing
- 52 Circlip
- 53 Key
- 54 Circlip
- 55 Intermediate shaft, plain
- 56 Intermediate shaft, Gearcut
- 57 Circlip
- 58 Circlip
- 59 Shim
- 60 Circlip
- 61 Circlip
- 62 Oil-plug
- 63 Seal
- 203 Driving gear
- 204 Pinion shaft SK 6382 - SK 9382



- 205 Driving gear
- 207 Output shaft (Hollow shaft)
- 208 Key
- 223 Locking cap
- 229 Supporting disc
- 234 Drain plug
- 235 Seal
- 244 Circlip
- 245 Ball bearing
- 246 Key
- 247 Shim
- 248 Ball bearing
- 249 Supporting disc
- 250 Locking cap
- 254 Spacer

General parts list



- 109 Shaft seal
- 112 Ball bearing
- 114 Intermediate flange
- 115 Spring washer
- 116 Bolt
- 117 Spring washer
- 118 Bolt
- 119 Intermediate shaft, plain
- 120 Intermediate shaft, gearcut
- 121 Bearing sleeve
- 124 Circlip
- 125 Circlip
- 207 Output shaft
- 208 Key
- 216 Flange
- 223 Locking cap
- 251 Shrink disc connector
- 252 Torque arm
- 253 Socket head screw

