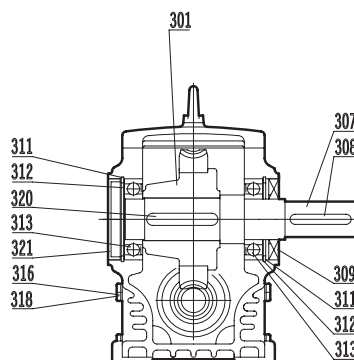
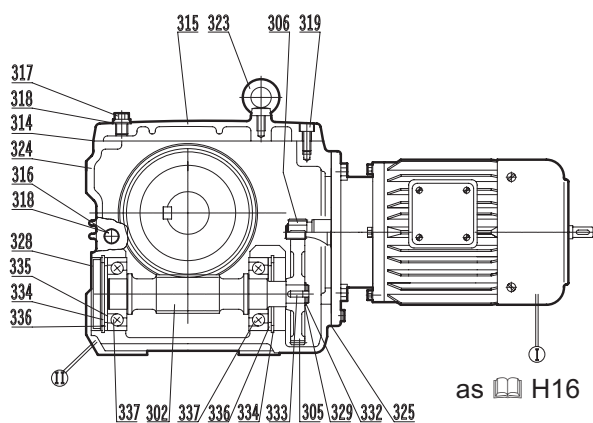


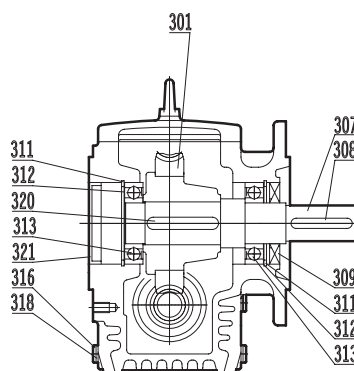
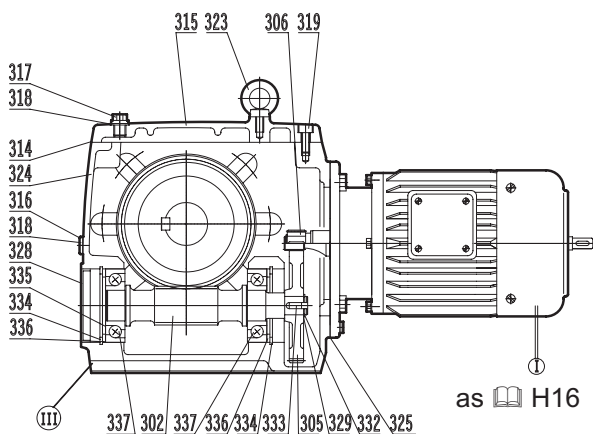


SK 02040 - SK 42125 Foot mounted



- 301 Worm wheel
- 302 Worm
- 305 Driving gear
- 306 Driving pinion
- 307 Output shaft
- 308 Key
- 309 Shaft seal
- 311 Circlip
- 312 Shim
- 313 Ball bearing
- 314 Seal
- 315 Gearcase cover
- 316 Drain plug
- 317 Vent screw
- 318 Seal
- 319 Socket head screw
- 320 Key
- 321 Locking cap
- 323 Flanged eye bolt
- 324 Gear case
- 325 Seal
- 328 Locking cap
- 329 Supporting disc
- 332 Circlip
- 333 Key
- 334 Circlip
- 335 Shim
- 336 Supporting disc
- 337 Angular ball bearing

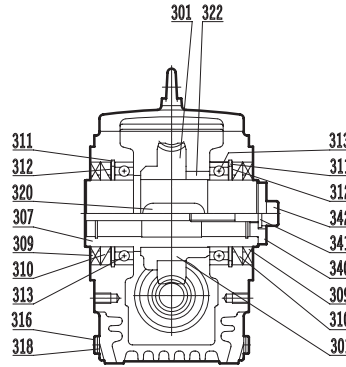
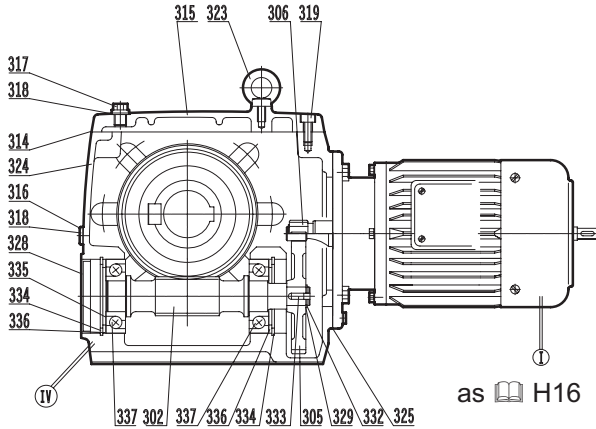
SK 02040F - SK 42125F Flange mounted



General parts list

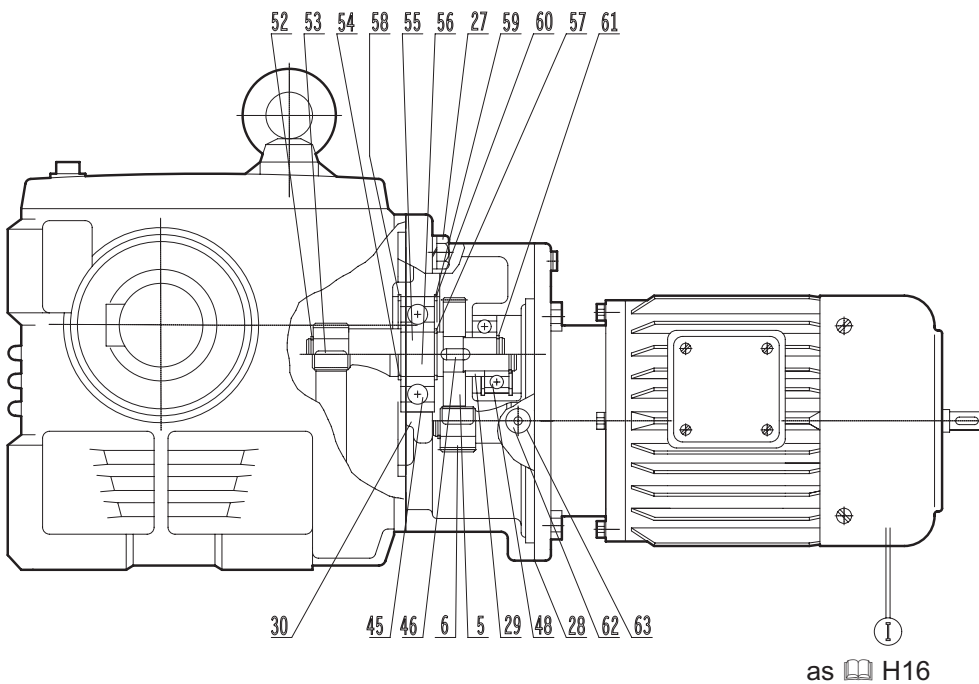


SK 02040A - SK 42125A Shaft mounted



- 5 Driving gear
- 6 Driving pinion
- 27 Bolt
- 28 Seal
- 29 Supporting disc
- 30 Third reduction gearcase
- 45 Ball bearing
- 46 Key
- 48 Ball bearing
- 52 Circlip
- 53 Key
- 54 Circlip
- 55 Intermediate shaft, plain
- 56 Intermediate shaft, Gearcut
- 57 Circlip
- 58 Circlip
- 59 Shim
- 60 Circlip
- 61 Circlip
- 62 Plug
- 63 Seal
- 301 Worm wheel
- 302 Worm
- 305 Driving gear
- 306 Driving pinion
- 307 Hollow shaft
- 309 Shaft seal
- 310 Shaft seal
- 311 Circlip
- 312 Shim
- 313 Ball bearing
- 314 Seal
- 315 Gearcase cover
- 316 Drain plug
- 317 Vent screw
- 318 Seal
- 319 Socket head screw
- 320 Key
- 322 Spacer
- 323 Flanged eye bolt
- 324 Gear case
- 325 Seal
- 328 Locking cap
- 329 Supporting disc
- 332 Circlip
- 333 Key
- 334 Circlip
- 335 Shim
- 336 Supporting disc
- 337 Angular ball bearing
- 340 Disc
- 341 Washer
- 342 Socket head screw

SK 13050 - SK 43125 Worm Geared Motor, triple reduction

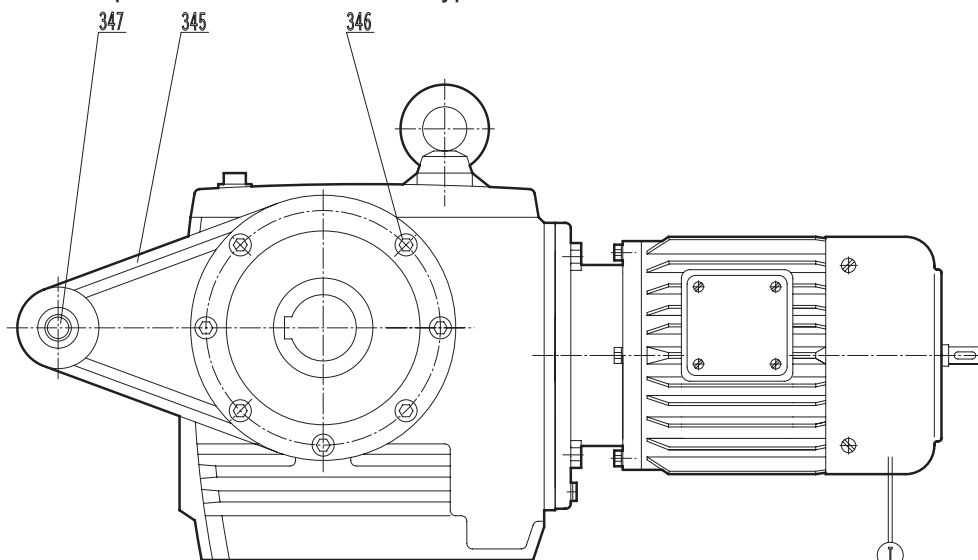




SK 02040 - SK 42125

SK 13050 - SK 43125

Torque arm for shaft mounted type



- 307 Output shaft, two sides
- 308 Key
- 309 Shaft seal
- 345 Torque arm
- 346 Socket head screw
- 347 Vibration dampening connector
- 350 Flange
- 354 Shrink disc connector

as H16

